

Online Twisted Pair HDCVI/HD-TVI/AHD/CVBS Protection in 1U rack mounting Device

ITEM NO.: SP016HDT

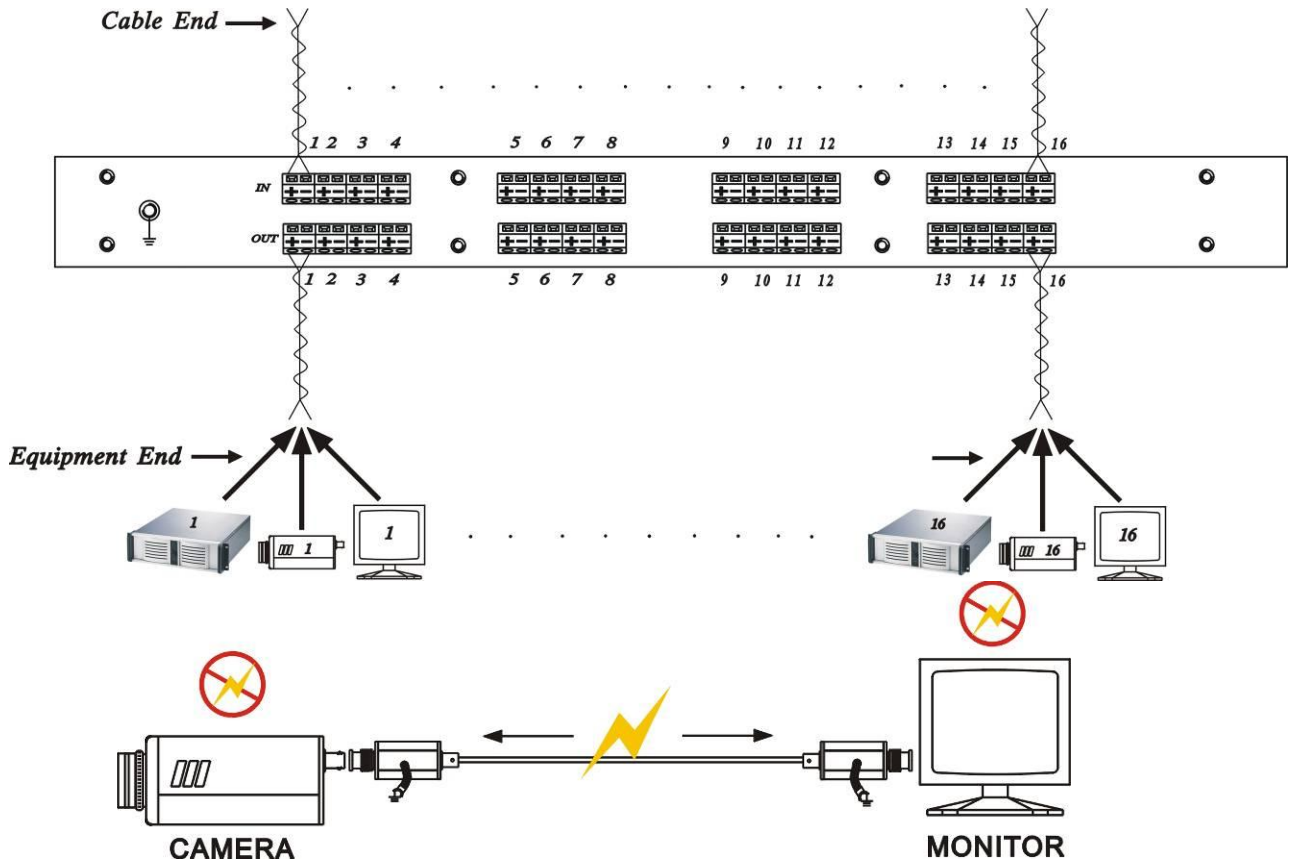


Application for protects equipment from high voltage surges such as lightning strikes. UL grounding requirements for coaxial cable offer protection from hazardous voltages that may occur on the shielding. Because of the physical length of ground wires, UL grounding systems may appear as an open circuit to lightning caused, high frequency surges and provide no protection from these surges getting into a home and destroying CATV converters, TV sets, DCR, Camera etc.

SP016HDT 16 Channel UTP HDCVI/HD-TVI/AHD/CVBS Surge Protection For DVR in 1U Rack Mounting Panel

- Design to work with twisted pair cabling transmission.
- 16 terminal to 16 terminal.
- Provide protection for analog HDCVI,HD-TVI, AHD camera, DVR devices.
- Comply with IEC 61000-4-5.
- Built in EFT (impulse noise), lightning protection.

Installation View:



Note:
For ensuring the unit can protect equipments, the cable must be connected to ground.

Application

- CATV System
- Antenna of Television
- Video Cassette Recorders
- FM receivers
- HD-CVI/TVI/AHD Cameras and monitors

Recommend Cable

Link cable recommend to use high quality 75Ω Coaxial Cable & BNC connector, to use low quality coaxial cable may case signal loss and effect transmission distance and reliability.

Specification

ITEM NO	SP016HDT
Input and output interface	Input: Terminal x 16 , Output: Terminal x 16
Surge Protection Attack Time	< 1nS
Starting voltage surge	6V
Maximum Clamping Voltage	25 V
Reference Standard	IEC 61000-4-5
Signal insertion loss	0.8db @ 42 MHz
Maximum discharge current	15 KA (MAX)
Environmental Specifications	Operation: -40 to 85°C, Storage: -40 to 90°C, Humidity: up to 90%
Dimensions mm	483 x 185.5 x 44 (1U)
Weight g	2200

RoHS   

Rev. A 1608025